

ZTY 型吊式弹簧减震器安装说明

ZTY Hanging type Spring shock absorber Installation instructions

安装前，请确认松江集团吊式弹簧减震器的型号和规格是否正确。

Before installation, make sure the model and the specification are correct.

安装说明

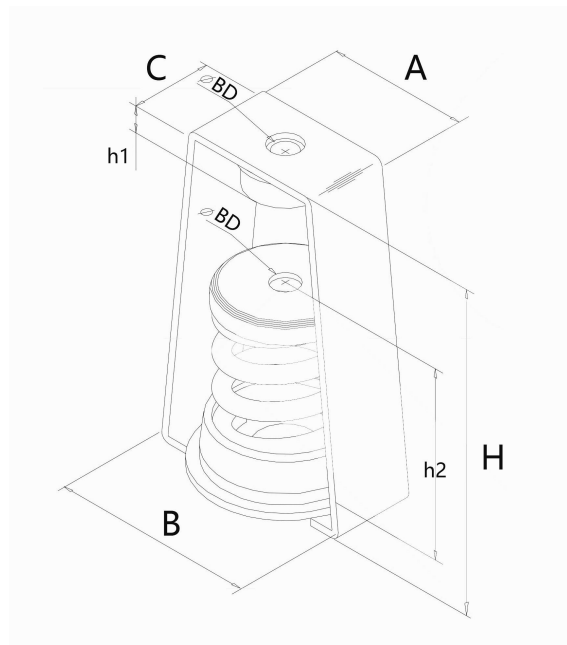
Installation guide

所需工具：公制口径 17mm (M10)、19mm (M12)、24mm (M16) 开口扳手。

Required tools: 17mm (M10)、19mm (M12)、24mm (M16) open wrenches.

先与安装位置处依据施工规范预埋符合荷重要求的基础螺栓。（如图 1）

Embed required foundation bolts according to the loading on the installation location. (Fig 1)



外形尺寸表：

Outline dimension table:

规格	A (mm)	B (mm)	C (mm)	h1 (mm)	h2 (mm)	H (mm)	BD (mm)
ZTY-A	37	50	25	7	45	80	8-10
ZTY-B	40	60	28	7	65	110	10
ZTY-C	70	90	40	25	90	150	12-14
ZYT-D/E	86	120	50	20	130	200	12-16

P1

安装说明 Installation guide

将弹簧减震器装到预留安装位置的螺栓上面，并将螺栓锁紧。（如图 2）

Fit spring dampers on the bolts at the reserved mounting position and lock the bolts. (Fig 2)

将弹簧减震器与设备连接的丝牙条装上。（如图 3）

Fit the spring shock absorber with the wire bar attached to the device. (Fig 3)

使用上下两颗螺帽安装与设备连接的固定处，以便调整，此时上部螺帽不需要锁紧。（如图 4）

Use the upper and lower two nuts to install the attachment to the device so that the upper nut does not need to be locked. (Fig 4)

将设备安装或配管安装完成。

Complete the equipment and piping engineering installation.

使用开口扳手调整下部螺帽来调整设备水平及弹簧压缩量。（如图 5）

Apply the open wrench to adjust lower nuts for the balance of the equipment and the press amount for the spring. (Fig 5)

调整完成后将上下两颗螺帽相对锁紧，即可完成淞江集团 ZTY 吊式弹簧减震器的安装调整。（如图 6）

Lock the upper and lower nuts after adjusting. (Fig 6)

安装后请检查弹簧下压量，如弹簧压到底，则表示荷重不足，没有减震效果。应该更换较大荷重的弹簧减震器型号，并请于本公司业务人员联系。

After the adjustment, check the press amount of the spring. If it appears with insufficient loading, please replace with bigger loading by contacting our staff.

安装时 请注意安全。

Be cautious during the installation.

保养须知：每月要观察固定螺栓是否有松动，保持弹簧减震器安装时弹簧下压挠度是否正常。

Maintenance checking points: remain M12 fixed bolt locked, balance of the base, installation of the isolator, and the deflection of the spring.

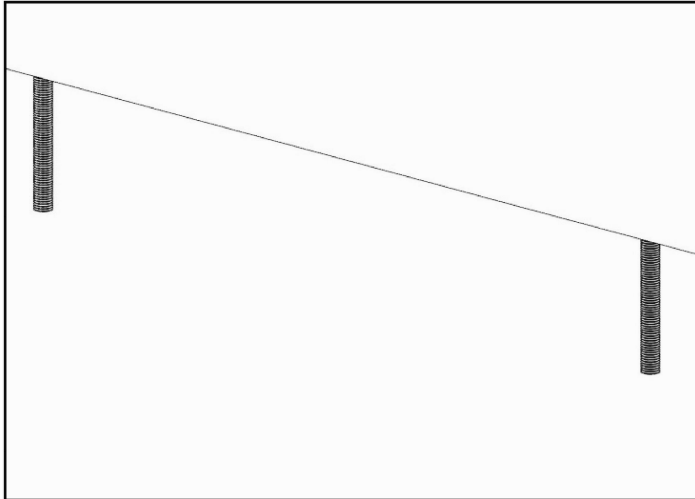


图1) 安装前, 请确认淞江集团吊式弹簧减震器的型号和规格是否正确。

Fig 1) Before installation, make sure the model and the specification are correct.

图2) 将弹簧减震器装到预留安装位置的螺栓上面, 并将螺栓锁紧。

Fig 2) Fit spring dampers on the bolts at the reserved mounting position and lock the bolts.

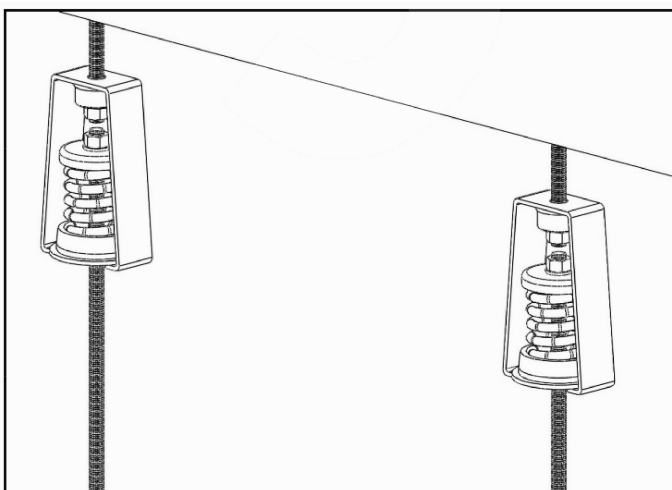
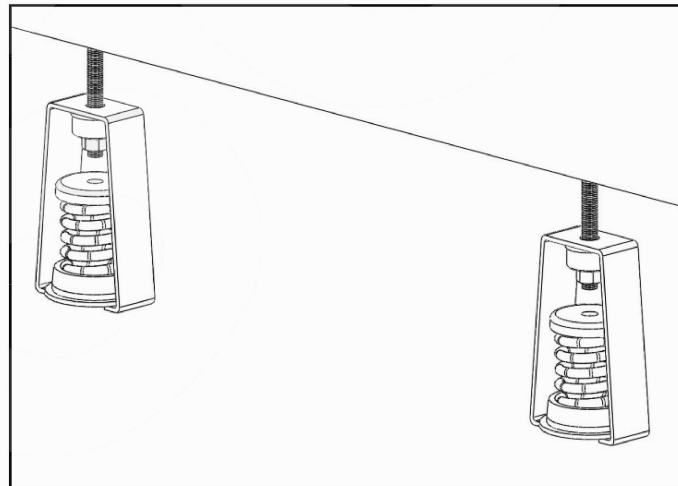


图3) 将淞江集团吊式弹簧减震器与设备连接的丝牙条装上。

Fig 3) Fit the spring shock absorber with the wire bar attached to the device.

图 4) 使用上下两颗螺帽安装与设备连接的固定处，以便调整，此时上部螺帽不需要锁紧。

Fig 4) Use the upper and lower two nuts to install the attachment to the device so that the upper nut does not need to be locked.

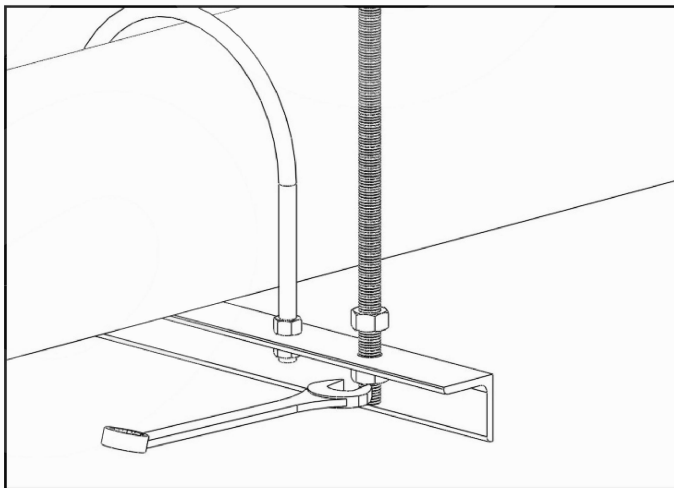
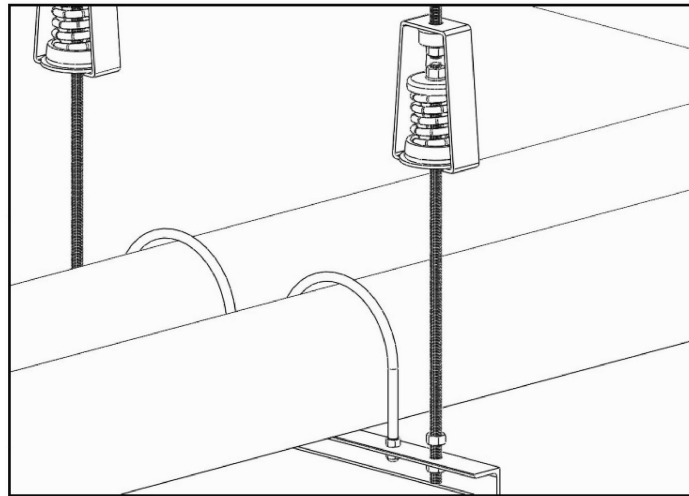


图 5) 使用开口扳手调整下部螺帽来调整设备水平及弹簧压缩量。

Fig 5) Apply the open wrench to adjust lower nuts for the balance of the equipment and the press amount for the spring.

图 6) 调整完成后将上下两颗螺帽相对锁紧，即可完成淞江集团 ZTY 吊式弹簧减震器的安装调整。

Fig 6) Lock the upper and lower nuts after adjusting.

